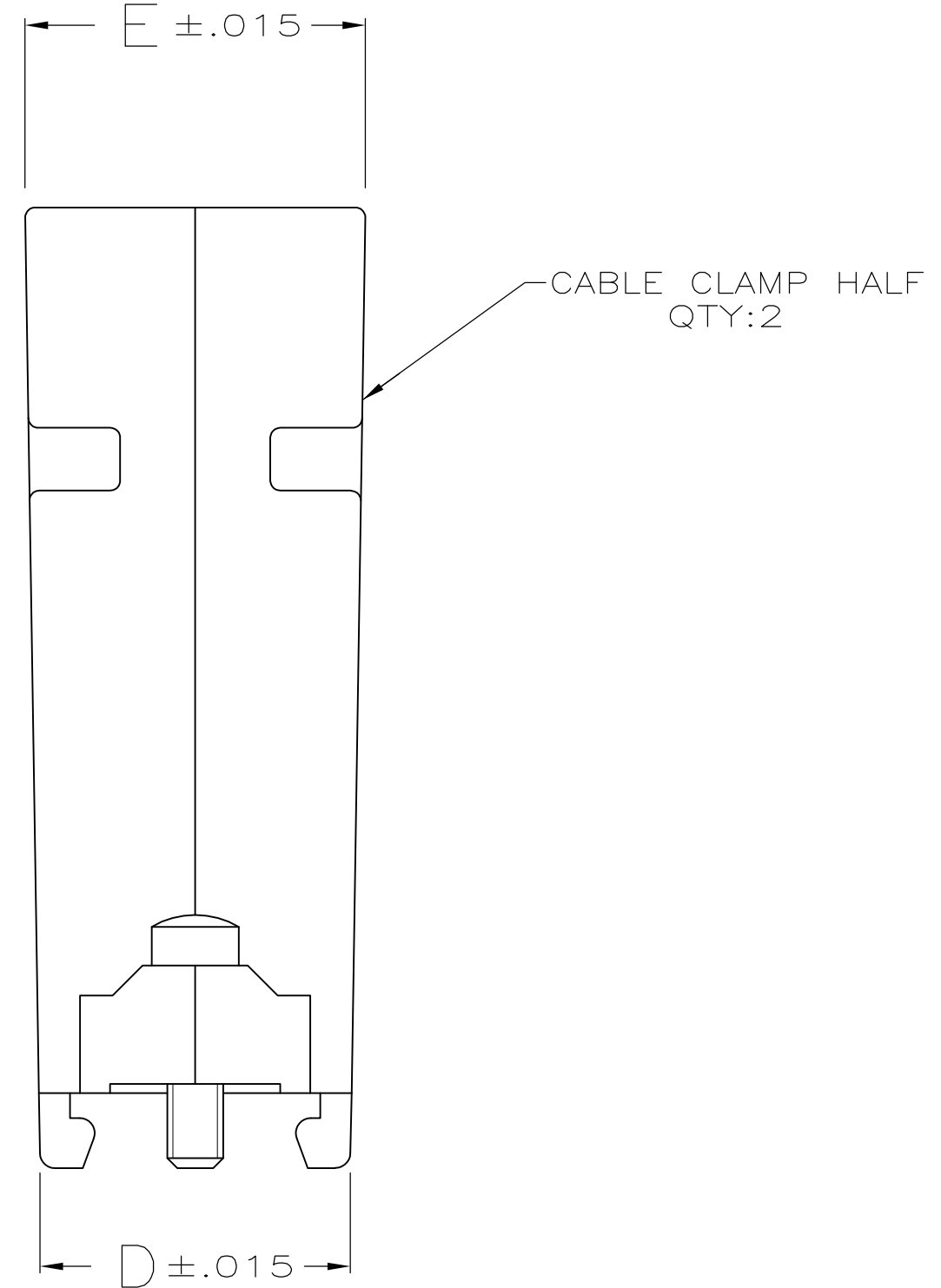
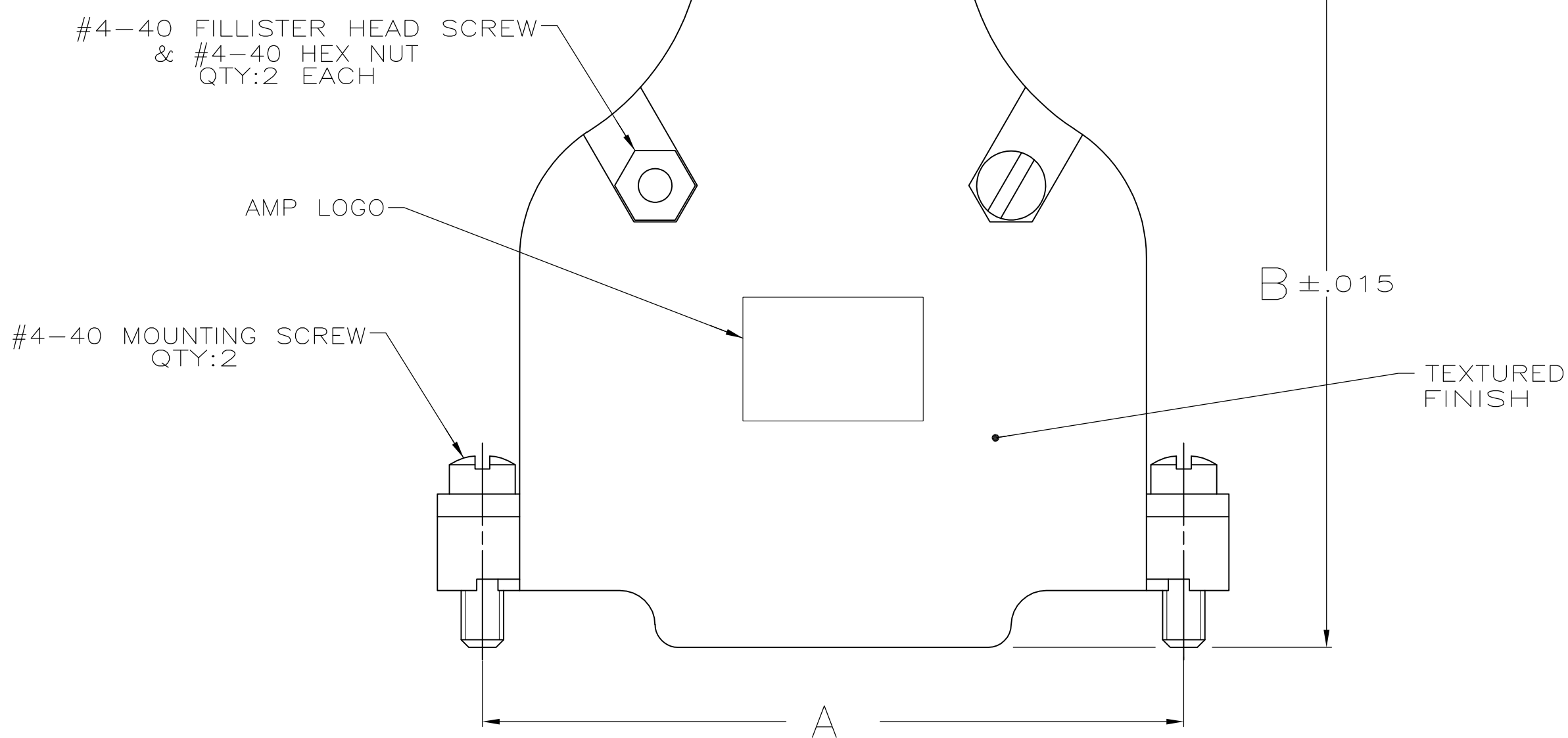
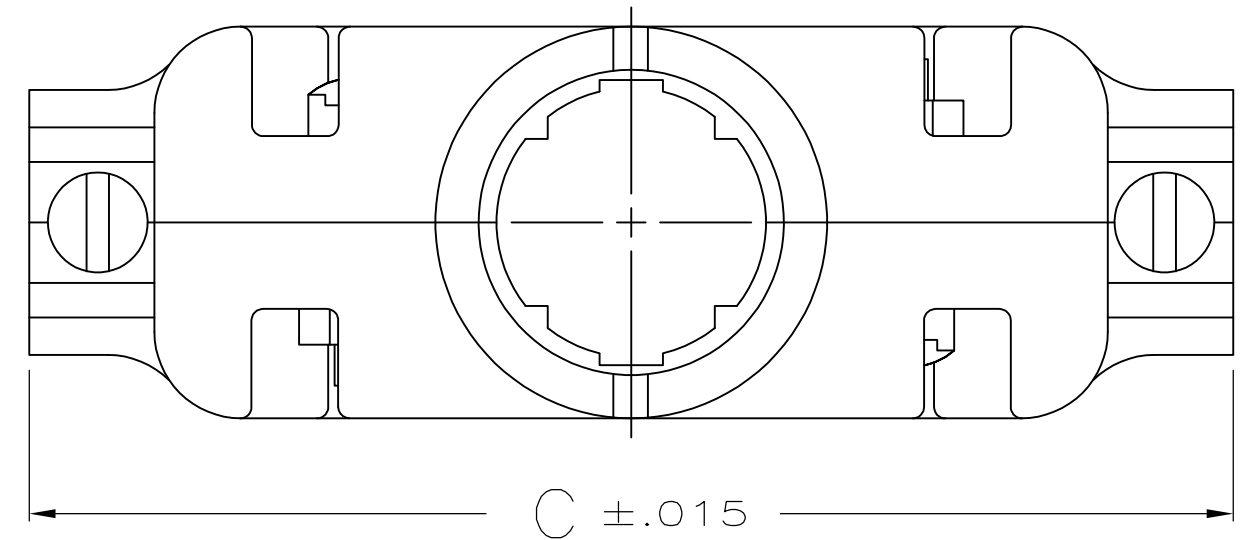
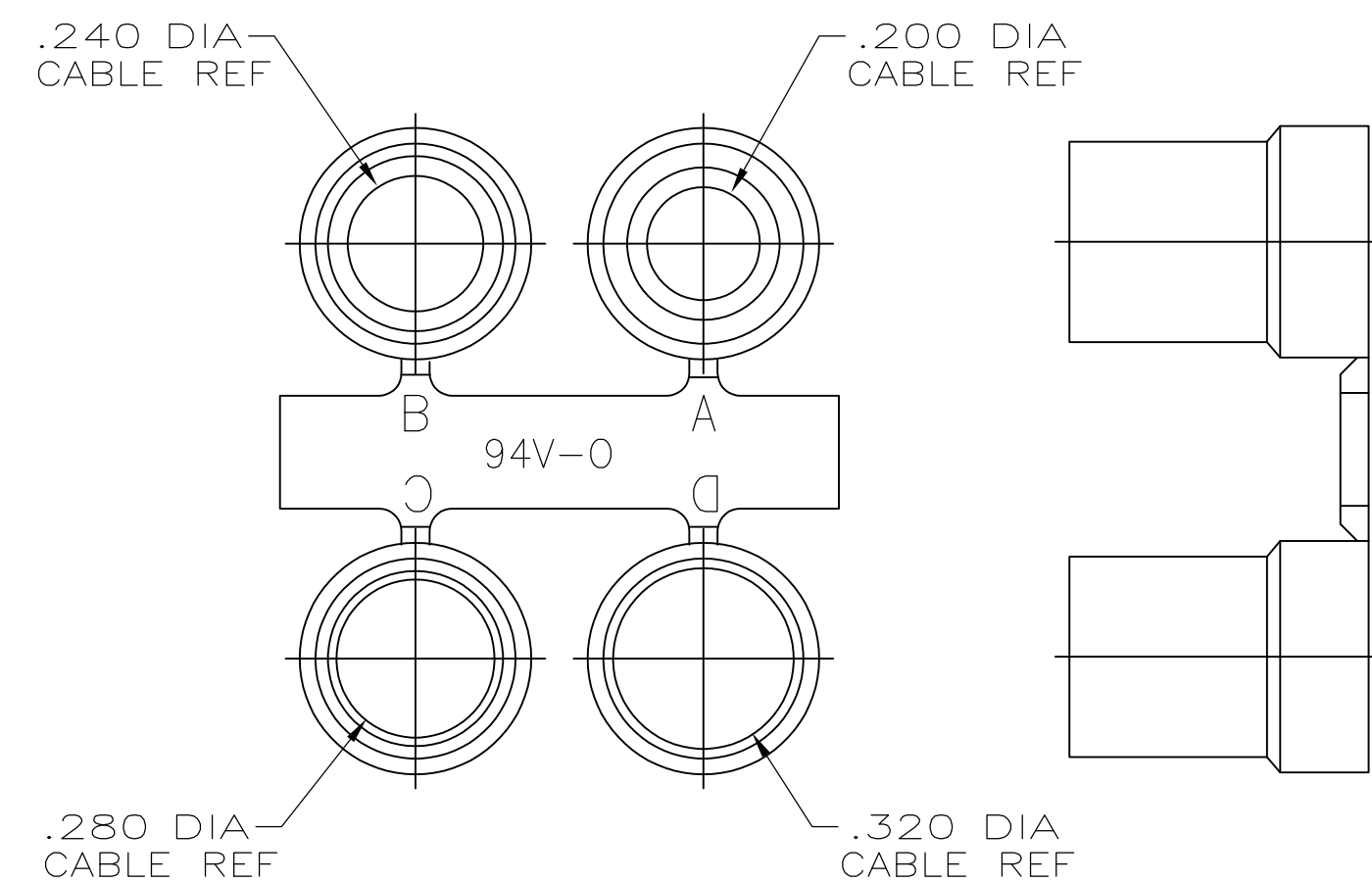


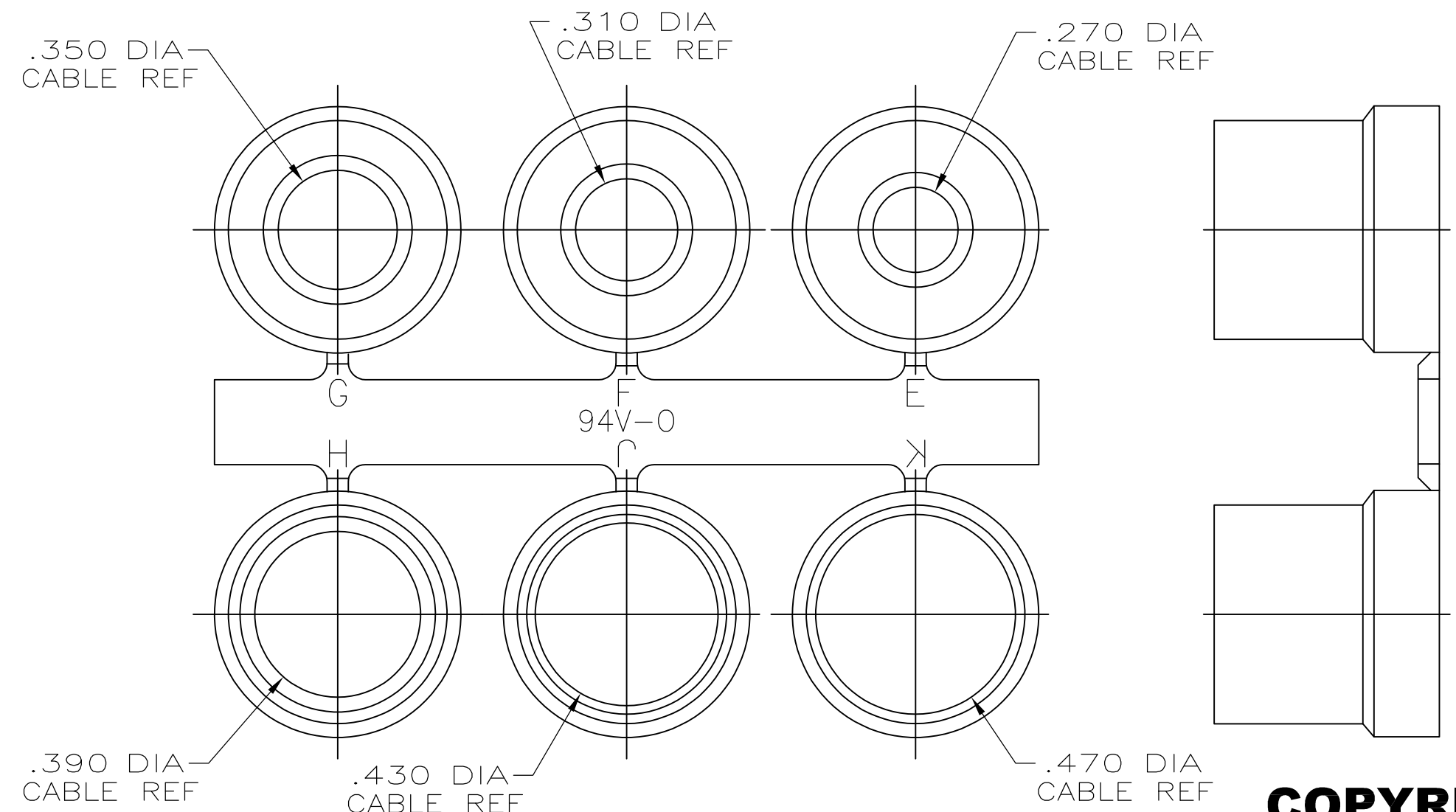
LOC		DIST		REVISIONS			
GP	00	REV	DATE	BY	CHK	APPV	
A1	REVISED PER ECO-11-004835	11MAR11	RK	HMR			



- PARTS PACKAGED UNASSEMBLED AS A UNIT KIT.
- CABLE CLAMP HALVES: ZINC ALLOY, FILLISTER HEAD SCREWS, HEX NUTS & MOUNTING SCREWS: STEEL
GROMMETS: FLEXIBLE PVC, UL 94V-0 RATED, COLOR: BLACK.
- CABLE CLAMP HALVES: NICKEL OVER COPPER, FILLISTER HEAD SCREWS, HEX NUTS & MOUNTING SCREWS: ZINC PLATED .000200-.000400 THICK, CLEAR CHROMATE COATING.
- OBSOLETE



GROMMET ASSORTMENT FOR SIZES 1 & 2 ONLY



GROMMET ASSORTMENT FOR SIZES 3, 4 & 5 ONLY

SIZE	CAGE CODE	DRAWING NO	RESTRICTED TO
A1	00779	C=5748676	

**COPYRIGHT 2005
TE CONNECTIVITY CORP
ALL RIGHTS RESERVED**

THIS DRAWING IS A CONTROLLED DOCUMENT.

DIMENSIONS: INCHES	TOLERANCES UNLESS OTHERWISE SPECIFIED:	DIN D. HENNY 8-17-05	8-17-05	 TE Connectivity	
0. PLC ± .005	1. PLC ± .005	CHK C. ROHDE 8-17-05	8-17-05		
2. PLC ± .005	3. PLC ± .005	APPV M. WALMSLEY 8-17-05		NAME: KIT, CABLE CLAMP, 180 DEG EXIT, W/GROMMETS, AMPLIMITE SERIES	
4. PLC ± .005	ANGLES ± .005			APPLICATION SPEC: -	
MATERIAL	FINISH	SIZE	CAGE CODE	DRAWING NO	RESTRICTED TO
		A1	00779	C=5748676	
CUSTOMER DRAWING		SCALE	1:1	SHEET	1 OF 1
		REV	A1		